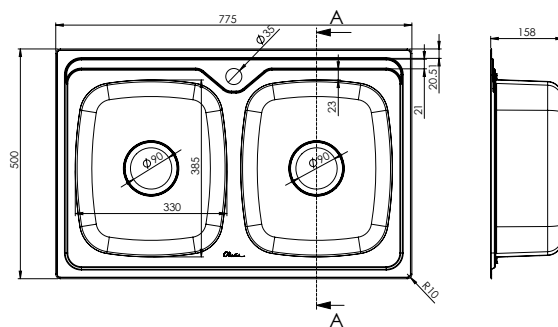


Oliveri®

Model: EE23TU



FEATURES

Practical combinations

Create the ideal working space with a choice of bowl combinations and accessories.

Universal sink

Suitable for both topmount and undermount installation.

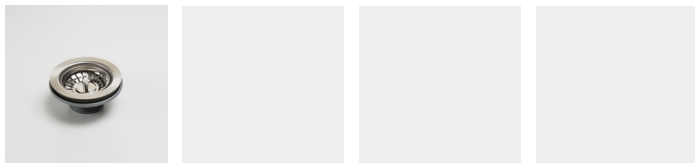
Stylish design

Square corners suit any design style, from country charm to contemporary.

18/10 Stainless steel

Engineered for good looks, strength and long life with genuine, 304 grade stainless steel.

INCLUDED ACCESSORIES



AC14
Basket waste

RECOMMENDED TAPWARE

MATCHING ACCESSORIES



SP28B
Basket waste plug

AC01
Bamboo board

AC03
Drainer basket

LP02
Multi use preparation kit

AC35
Foldamate

AC16
Bench top drainer tray



MT0269C
WELS 4 star
7.0 L per min

MT2030C
WELS 4 star
7.0 L per min

SPECIFICATIONS

Description

Double bowl topmount or undermount sink

Sink Size

775W x 500H

Main Bowl

330W x 385H x 155D / 17L

Main Bowl

330W x 385H x 155D / 17L

Construction

2 piece, bowls & drainer seam welded

Material

304 grade, 18/10 polished stainless steel (0.8mm thick)

Installation

Topmount or undermount

EAN

9324974012342

Fixings

N/A

Cut out template

oliveri.com.au

Min cabinet size

800mm

Tap holes

Available 1 tap hole only

Waste fittings

2 x 90mm basket waste included

Overflow

Special order option available

Carton size

878 x 575 x 226mm

Weight

7kg

Warranty

Lifetime manufacturer's warranty (refer to oliveri.com.au)



For more information call **1300 137 465** or visit **oliveri.com.au**