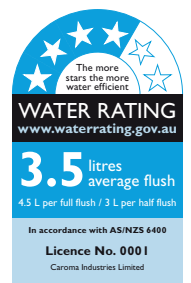


Urbane Cleanflush™

Vitreous China 4.5/3 litre Dual Flush Wall Faced
Close-Coupled Rimless Toilet Suite



cleanflush



Urbane Cleanflush™



Back entry version of pan pictured

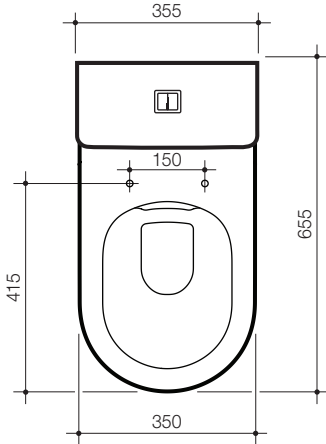
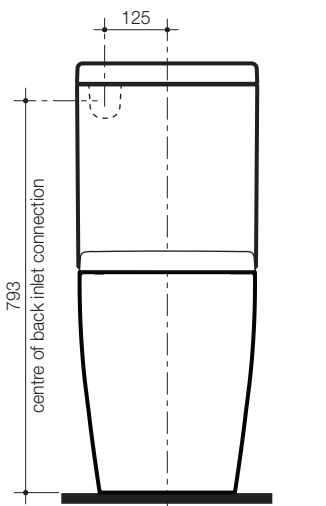


Bottom inlet version of pan pictured

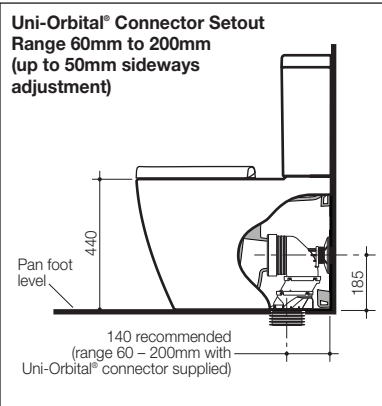
Combining universal design with rimless pan technology, the **Urbane Cleanflush™** is a superior flushing system suitable for domestic and commercial applications. Incorporating several patented technologies: Caroma Flow Splitter™, Caroma Flow Balancer™ and Caroma Uni-Orbital® Connector, the Cleanflush pan is innovative and the next evolution in toilets. The Flow Splitter evenly flows water around the top of the bowl to meet at the Flow Balancer which directs the water powerfully into the sump, reducing the need for brush cleaning. The rimless pan is easy to clean and unlike traditional pan profiles, provides full visibility of any grime build up. Caroma Cleanflush™ provides a cleaner clean for peace of mind.

- Pan:** **Urbane Cleanflush™** wall faced close coupled 4.5 litre full flush rimless pan.
- Traps:** Universal trap for S or P-trap installations.
- Cisterns:** **Urbane** close coupled cistern – has a free fitting lid and is suitable for domestic and light commercial applications. Available with internal overflow. Available in either back entry or bottom inlet options. Cistern inlet stop valve and inlet connection is concealed within the cistern and is included (back entry version only). **Vandal Resistant Conversion Kit** – A simple to install conversion is available for the standard mechanism to lock lid onto the cistern, recommended for use in heavy use commercial areas. Code No.750109. **Important: Working pressure minimum 30kPa to maximum 1000kPa flow pressure. Rain water tank compliant. Accurate wall setout for B.S.P. 1/2" Nipple water inlet connection is essential.**

- Fixing:** The cistern is fixed directly to the pan with a robust concealed base fixing system without the need for wall fixing.
- Seats:** The **Arc** soft close quick release thermoset toilet seat or **Arc** standard close thermoset toilet seat is provided as standard with the Urbane Cleanflush™ suite. See chapter 5.01 SEATS of the Caroma Technical Manual for further details.
- Colours:** White only.
- Installation:** The installation of the toilet suite shall be in accordance with the normal minimum drainline grade requirements in AS/NZS 3500.2.
- Dimensions:** All dimensions are in millimetres and are subject to normal manufacturing variations. Caroma pursues a policy of continuing improvement in design and performance of its products. The right is therefore reserved to vary specifications without notice.

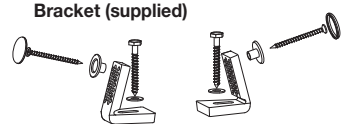
Uni-Orbital® Connector Setout
Range 60mm to 200mm
(up to 50mm sideways adjustment)



Urbane Cleanflush™
Wall Faced Close Coupled Toilet Suite with Seat

	Code No.
4.5/3 litre Back Entry Internal Overflow with Arc Soft Close Quick Release Seat	746300
4.5/3 litre Back Entry Internal Overflow with Arc Standard Close Seat	746310
4.5/3 litre RH Bottom Inlet Internal Overflow with Arc Soft Close Quick Release Seat	746200
4.5/3 litre RH Bottom Inlet Internal Overflow with Arc Standard Close Seat	746210

D82 Concealed Fixing Bracket (supplied)



Note: All height dimensions to underside of pan, make allowance for bedding when installing.

Bedding: The pan should be fixed to the floor with a sand cement mixture of 3:1 to a depth of 60mm. Do not use lime or fast drying cement in the bedding mixture. When bedded the back of the foot of the pan should be approximately 10mm above the finished floor.

Bracket fixing: The pan should be bedded with an acetic cured silicone sealant and fixed with the D82 Fixing Brackets supplied.